

For Trex 140mm Transcend or Contour Decking



Please Read These Important Notes

- It is essential to read and follow the steps listed in this Fixing Instruction manual prior to installing the KlevaKlip KSL140N Snap-Loc clips with Trex 140mm Transcend & Contour Decking.
- Thought should be given to finishing the last board option at the front of your deck before actual commencement of your deck.
- The KSL140N Snap-Loc clips are designed to fit only the 140mm Trex Transcend & Contour Decking with Grooved edges in the deck board.
- Never fix boards relying on adhesive only. If fixing boards in areas without KlevaKlip make sure you use some type of mechanical fix. (eg screw)
- KlevaKlip is not suitable for non-square decks or irregular joist heights. Whilst the fixing of the boards into the KlevaKlip is fast and will save time over conventional hand fixing, it is important that extreme care is taken in installing your first row of KlevaKlips. This will govern the straightness of your deck.
- For non-square areas of your deck, it is best to use conventional Trex fixing clips in conjunction with KlevaKlip Snap-LOC clips.

APPROVED ADHESIVES FOR KLEVAKLIP KSL140N SNAP-LOC CLIPS

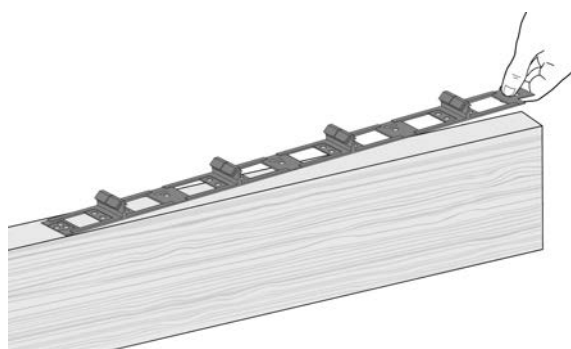
Board Type	Approved Adhesives	Coverage
Trex 140mm Transcend & Contour Decking with Grooved Edges	Any Polyurethane-based MS-type adhesive is acceptable	Approx 1 Cartridge 15M2

Step 1- Positioning the Front KlevaKlips to the Outer Side Joists

Starting from the outside front edge of your deck place a KlevaKlip on each one of your outer side Joists of your decking substructure. Full deck board widths are recommended at the front of your deck, so at this point you need to consider the set-out of the deck:

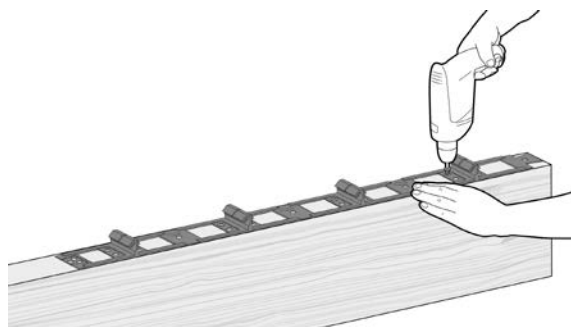
- In order to address the fascia you are going to use (see Step 9), you need to make the decision on whether you wish to have an "overhang" finish, or a "flush" finish.

For "overhang" finish – go to Step 1a
 For "flush" finish – go to Step 1b



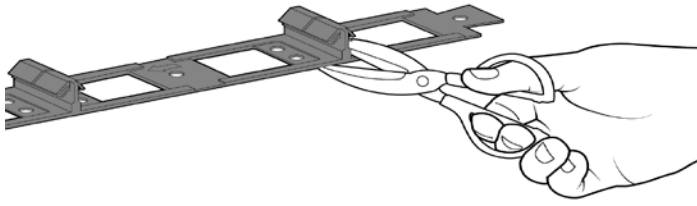
Step 1 (a) - Overhang Method

Fix the clip to the joist making sure the front of the "wedge- tail" joiner is flush with the front of the joist and lines up squarely to the outside edge of the joists.

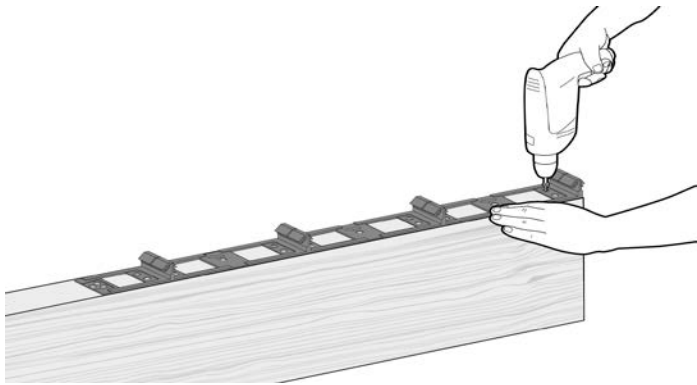


Step 1 (b) - Flush Finish Method

The Flush finish utilises the outside upright on the clip to secure the front edge deck board. You will need to cut the clip as shown in the diagram below. You will also need to cut the outside tooth so as the gap between the front edge deck board and fascia board is correct.



Fix the clip to the joist making sure the front of the upright is flush with the front of the joists and lines up squarely to the outside edge of the joists. Alternatively, the whole upright of the clip can be cut off and colour-coded screws can be used to fix the front edge of the board to the joists.



Starting from the back of your deck (at the house).

The flush finish start is also ideal if you are starting from the back of your deck, however we suggest you place KlevaKlips on the end joists towards the front end of the deck to check squareness of the structure, and ensure you can achieve full board widths at the front of the deck.

Step 2- Fixing the Front KlevaKlips to the Outer Side Joists

Your first clips should be fixed by hand to ensure accuracy. For timber joists use 8 gauge 20- 25mm (hardwood – softwood) Button Head Galvanised screws with a head height no greater than 2mm. Galvanised Connector Nails 32mm x 3.15 or equivalents can also be used. For metal joists use 10 Gauge 16mm Wafer Head Galvanised self drilling screws with a head size of less than 2mm. In high corrosion areas you should use stainless steel fixings. Use counter-sunk head screws if button heads are not available.

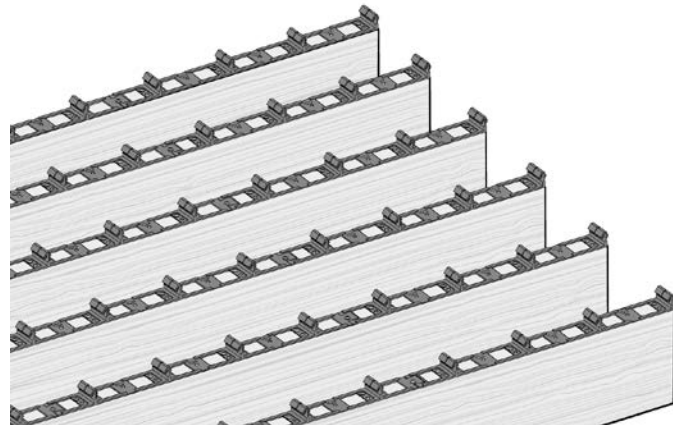
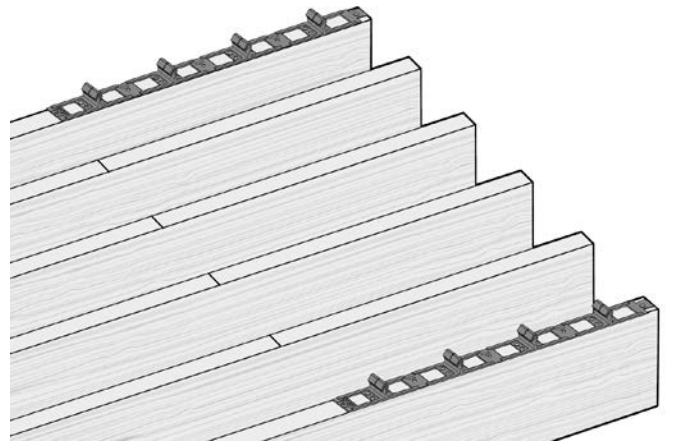
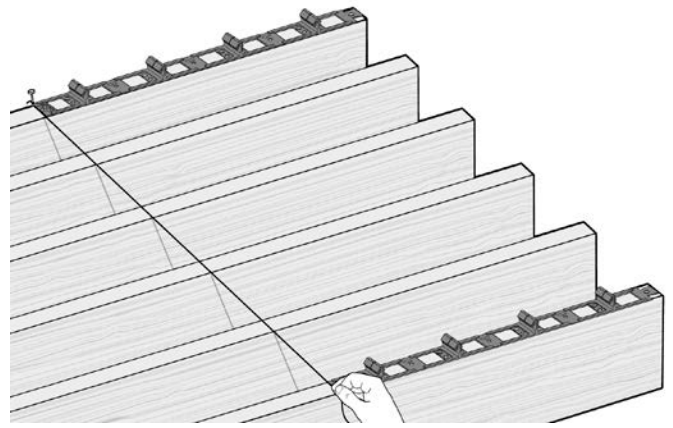
The KSL140N requires two fasteners per board space (8 per clip).

TIP: Time saving benefits can be achieved by utilising Coil Nailer gun to secure the inner rows of KlevaKlip's on to Timber Joists.

Step 3- Positioning the Front KlevaKlips to the Inside Joists

Once both outer side KlevaKlips have been securely fastened to the joists, run a string chalk line from one of the outer side KlevaKlips across the inner joists of the deck on to the other outer side KlevaKlip. Pull string tightly and flick the string line and this will mark a chalk line on all the internal joists between the two outer side joists.

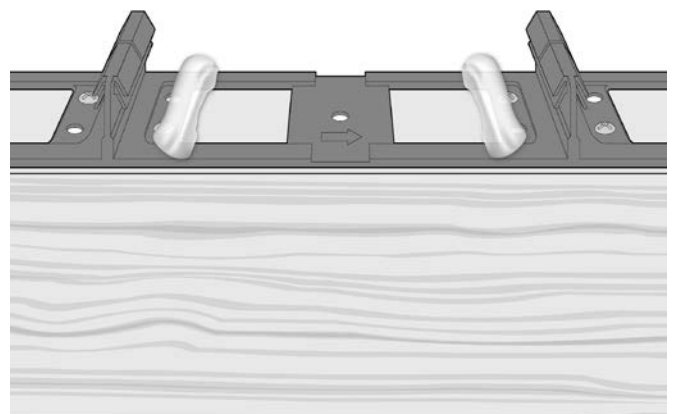
Using this chalk line mark you can then correctly position the remainder of front KlevaKlips on to the other internal joists. Fix to the joists using the same fixing methods as described in **Step 2**. Using this method will align your inside KlevaKlips directly inline with your outside KlevaKlip's and alleviate any incorrect internal joist lengths.



Step 4- Applying Adhesive to your Deck Boards

After you have completed laying your first row of KlevaKlips to your joists, it's time to apply an 8mm bead of Construction adhesive across both sides of the clip. (See shot below)

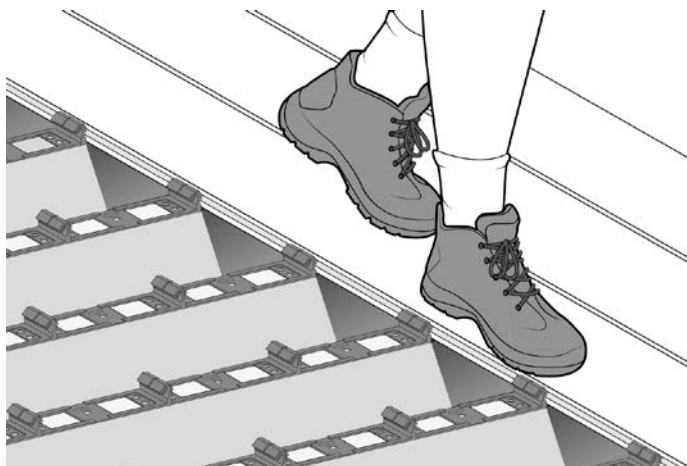
Tip: adhesive is not required at every joist – only at board ends and butt joints



Step 5- Inserting your Deck Boards

Place the complete length of the Trex deck board on a slight angle and insert the leading edge of the groove into all the claws. Once the complete length of the board's groove is engaged into all the claws ensuring the outside KlevaKlip uprights are visible on the outside edge of the Trex, simply walk on the outside edge of the deck board until it engages into the KlevaKlips.

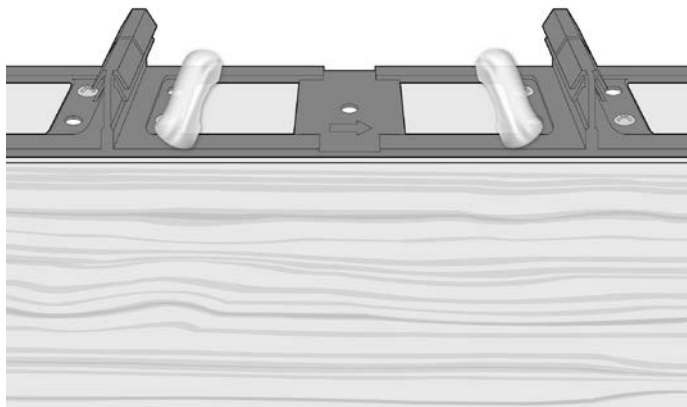
Repeat the processes in Step 4 and 5 until all the deck boards are inserted into the KlevaKlips.



Step 6 - Butt Joints

At the top of each KlevaKlip uprights you will see a notch. This notch is designed to line up with each your butt joints. Apply a bead 8mm high of Construction Adhesive across both sides of the clip. (See shot below) Insert your deck boards as instructed in Step 5 making sure you leave a 3mm gap at the butt joint as per Trex install requirements.

Tip: It is important that your butt joints are square and line up with the notch in the KlevaKlip upright.



Step 7- Installing the remaining KlevaKlips

Now you have completed your first front row of KlevaKlips and deck boards it is time to fix the remainder of the clips to the joists. Simply place the next KlevaKlip at the back end of the previous clip making sure both KlevaKlips are hard up against each other. The "wedge-tail" joiner at the ends of the clip makes this fast and easy to get right.

Secure the remainder of the KlevaKlips to the joists using the same fixing methods as described in fixing the KlevaKlips **Step 2**, Apply adhesive as described in **Step 3** and Insert your deck board as described in **Step 4**.

Step 8 - Modifying KlevaKlips

Tip: You can design your deck width to suit full KlevaKlip lengths and Trex board widths.

However, in some cases you may have to cut the KlevaKlip to fit. This will happen at the back of the deck generally against the house end. KlevaKlip is designed either to take a half width board at this end or you can cut the KlevaKlip with snips to utilise any board width.

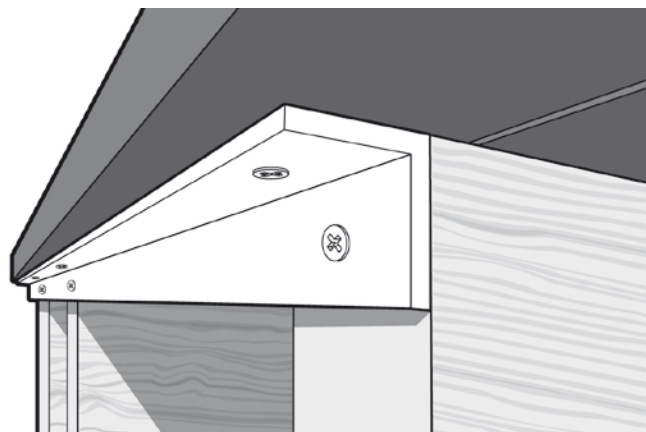
Step 9 (a) – Finishing Front Edge Deck Board Overhang Method

Step 1(a) detailed the first clip being installed to provide an "overhang" finish. Then:-

Screw fix a 30mm x 30mm aluminium right-angle to the ends of your joists, ensuring the top of the angle is 4mm above the top of the joists – to keep it the same height as the KlevaKlip ridges.

Drill holes in the aluminium angle between all the joists so as you can fix screws from underneath your deck board. Push the front edge of the deck board hard into each of the KlevaKlips, then fix screws through the aluminium angle from underneath into your deck board.

Depending how your deck is constructed you can then utilise a Trex deck or fascia board for the fascia board to cover your joist ends.



Step 9 (b) – Finishing Front Edge Deck Board Flush Finish Method

Step 1(b) detailed the first clip being installed to provide a "flush" finish. Then:-

Fix the fascia board to the front of the joist ends making sure the top of the fascia is flush with top of the front edge deck board.

**DISTRIBUTED BY
MASTER WOODTURNING**

37 Lancaster Steet, Ingleburn NSW 2565

Phone: 02 9829 5000

Email: sales@masterwoodturning.com.au

www.trexsydney.com.au